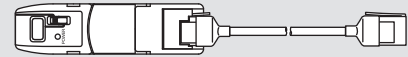


Anywire AnyWire System Product Guide

AnyWire Remote Head for Address Writer

ARW-RH



ARW-04

ARW-03

This Product Guide describes an individual product.
To understand the product, please read the contents of this document.

[Notes on Safety]

Precautions that must be observed in order to use this system safely are indicated as shown below.
You must observe these precautions.



A WARNING indicates a potentially hazardous situation which, if not handled correctly, could result in death or serious injury.



A CAUTION indicates a potentially hazardous situation which, if not handled correctly, may result in personal injury or property damage.



○ System Safety

This system is intended for general industrial applications. It does not have functions for supporting applications requiring higher levels of safety such as safety-related devices or accident prevention systems. The product must not be used for these purposes.

- Always turn off the system power before installing or replacing the product.



○ System power supply

Use a stable, 24V DC power supply. If a non-stabilized power supply is used, it causes malfunction of the system.

○ Separately route high-voltage and power cables

Although the AnyWire system has a high noise margin, keep the transmission line and I/O cables away from high-voltage and power cables.

○ Connectors and terminals

- Pay careful attention to the length and installation of cable wiring to ensure that connectors and cables are neither overloaded nor disconnected.
- Make sure to prevent any metal objects from getting inside the connectors or the terminal blocks.
- Short-circuits caused by metal objects or mis-wiring are likely to damage the device.

○ Do not impose any external loads on the device. Doing so may cause a failure.

○ Do not disconnect or reconnect between the transmission line and remote units when the transmission line is active. Doing so may cause a malfunction.

○ Use the AnyWire system within the range of the specifications and conditions shown below.

[Features]

- Use the remote head in connection to AnyWire non-contact type infrared address writer.
- Using the remote head facilitates writing in a limited space to which the address writer body is difficult to access and writing to a small unit.
- Reading/writing is enabled in two directions by selecting the optical axis.

[Type]

ARW-RH	Compatible models	ARW-04 ARW-03
--------	-------------------	------------------

[Warranty]

■ Warranty period

The warranty period of the delivered product shall be one year after delivery to the place specified by the customer.

■ Scope of warranty

If a fault occurs with the product under the normal operating conditions assumed in the product specifications and according to the instructions of this manual within the above warranty period, faulty parts shall be replaced or repaired free of charge.

Note: The following cases are exempted from the scope of warranty:

- (1) User's improper handling or use of the product
- (2) When the fault is caused by any factor other than the delivered product
- (3) When the fault is caused by modification or repair of the product by any person other than the supplier
- (4) When the fault is caused by a natural disaster or other factor which is not attributable to the supplier

The term "Warranty" mentioned here means warranty of the delivered product only. We shall not be liable for incidental damage resulting from a fault of the delivered product.

■ Repair at user's cost

Investigations and repairs after elapse of the warranty period shall be conducted at user's cost.

Even in the warranty period, we shall accept order of repair of a fault or investigation of a cause of a fault beyond the above scope of warranty at user's cost.

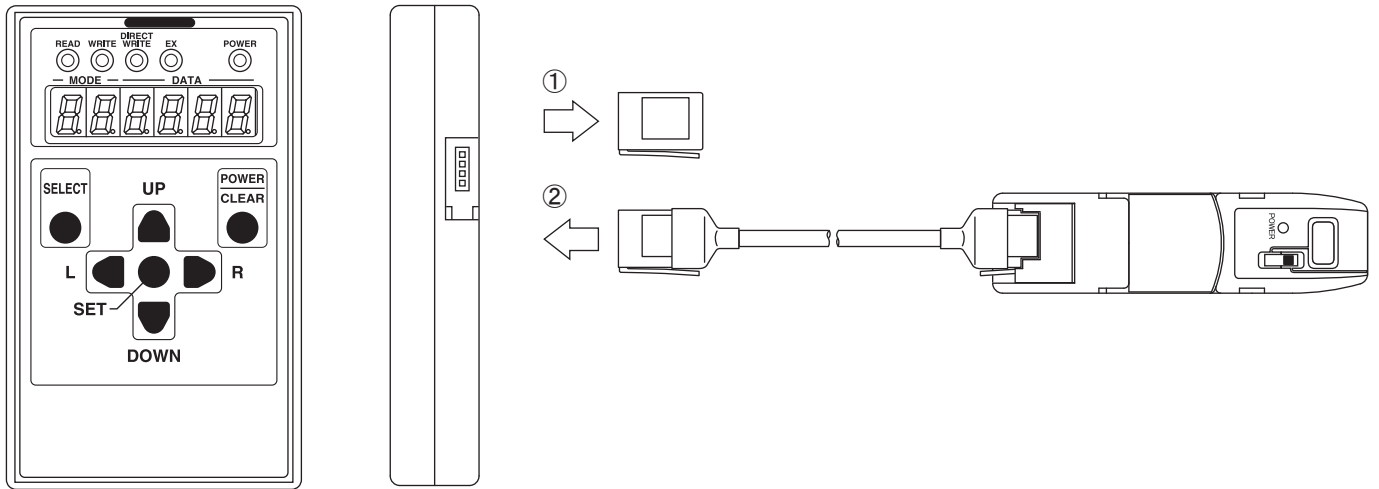
■ Changes in the product specifications and the descriptions in the manual

The descriptions in this manual may be subject to change without notice.

[Connection Method]

Turn off the power supply for ARW-04/ARW-03.

- ① Remove the cover for the connector.
- ② Connect ARW-RH.

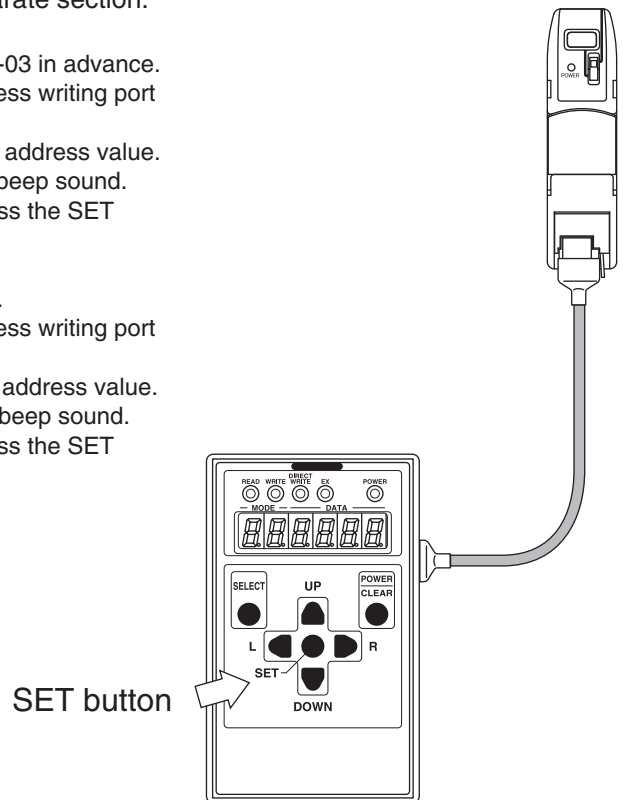


*The figure shows an example of connection to ARW-04.

[Operating Procedure]

For the procedure for operating ARW-04/ARW-03, see the separate section.

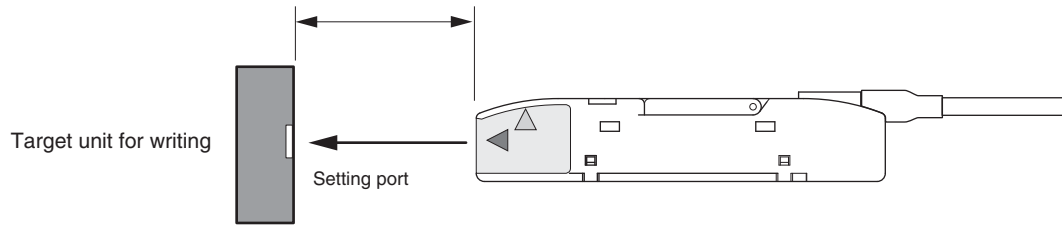
- Writing Set an address value to be written with ARW-04/ARW-03 in advance. Direct the optical-axis window of ARW-RH to the address writing port of the target unit. Press the SET button of ARW-04/ARW-03 to write the address value. When writing is normally completed, you hear a short beep sound. If "ERR" is displayed, re-align the optical axis, and press the SET button again.
- Reading Set ARW-04/ARW-03 in the reading mode in advance. Direct the optical-axis window of ARW-RH to the address writing port of the target unit. Press the SET button of ARW-04/ARW-03 to read the address value. When reading is normally completed, you hear a long beep sound. If "ERR" is displayed, re-align the optical axis, and press the SET button again.



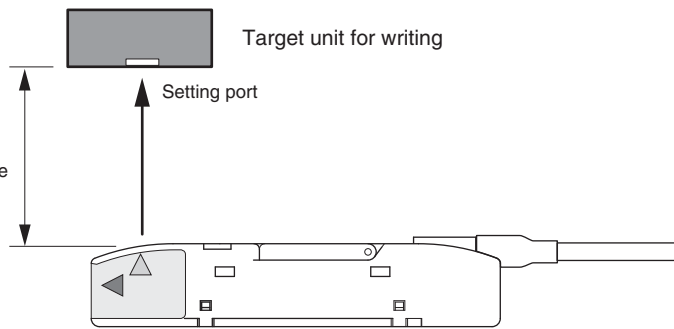
*The figure shows an example of connection to ARW-04.

[Operating Distance]

In principle, operation is enabled in a range of up to 30 mm.
If the target unit is small, put the remote head as close to the unit as possible.

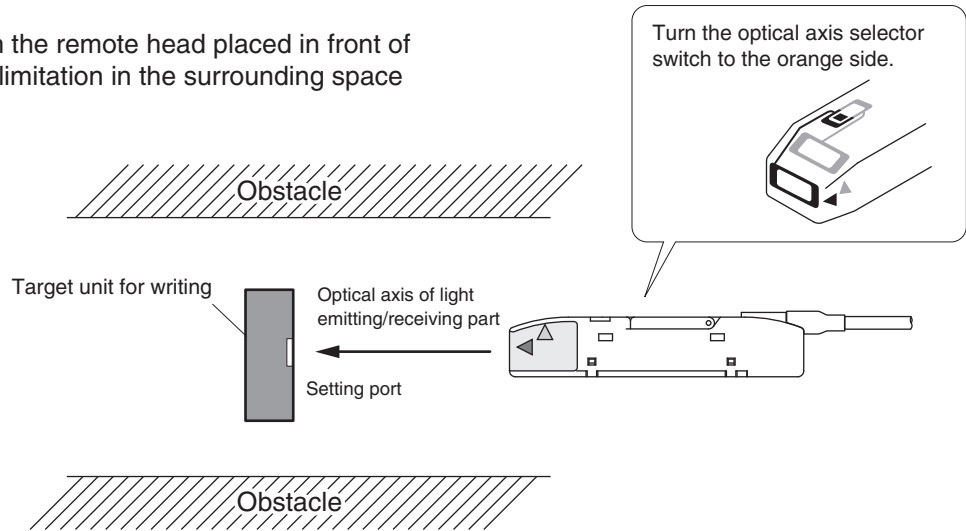


In principle, operation is enabled in a range of up to 30 mm.
If the target unit is small, put the remote head as close to the unit as possible.

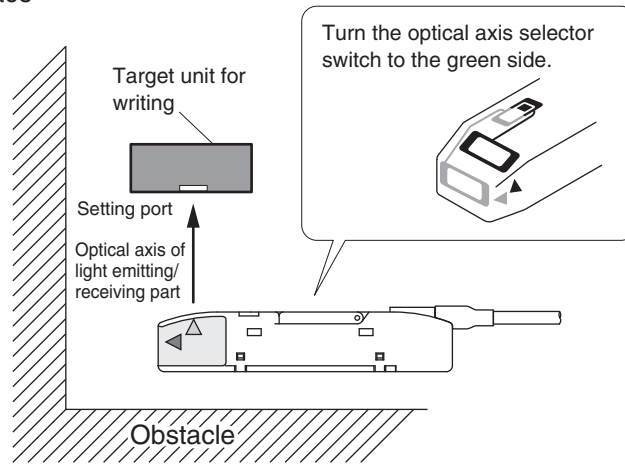


[Selection of Optical Axis]

1. When writing is enabled with the remote head placed in front of the target unit regardless of limitation in the surrounding space



2. When writing must be executed from a lateral position because of limitation in the surrounding space



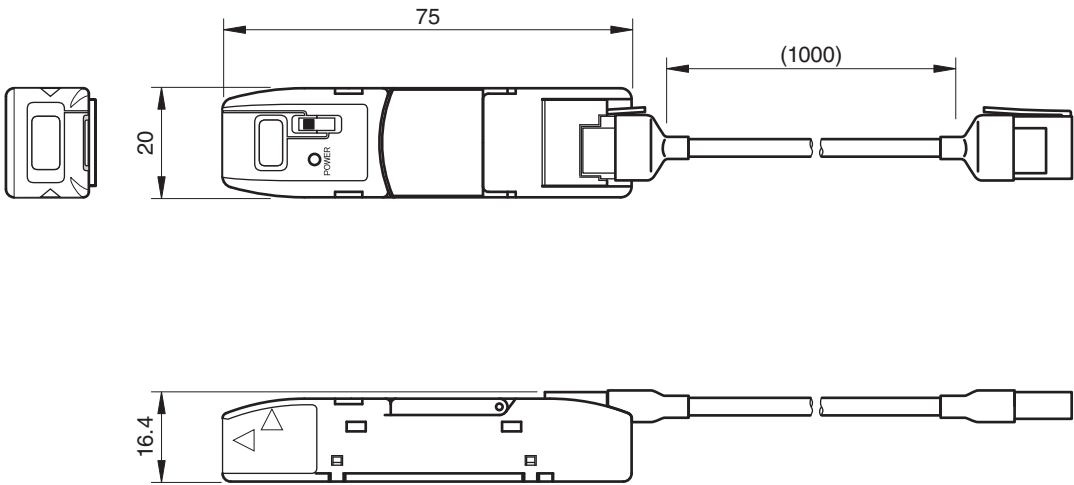
[Specifications]

■ Individual specification

Weight	53g
--------	-----

[Outside Dimensions]

Unit: mm



【中国版RoHS指令】

的产品中有害物质的名称及含量

部件名称	有害物质					
	铅 (Pb)	汞 (Hg)	镉 (Cd)	六价铬 [Cr (VI)]	多溴联苯 (PBB)	多溴二苯醚 (PBDE)
安装基板	○	○	○	○	○	○
框架	○	○	○	○	○	○

本表格依据 SJ/T11364 的规定编制。
○：表示该有害物质在该部件所有均质材料中的含量均在 GB/T26572 规定的限量要求以下。
×：表示该有害物质至少在该部件的某一均质材料中的含量超出 GB/T26572 规定的限量要求。



基于中国标准法的参考规格：GB/T15969.2

[Address]

Anywire Anywire Corporation

Headquarters :1 Babazusho, Nagaokakyo-shi, Kyoto 617-8550 JAPAN

Contact :Contact by mail info_e@anywire.jp
:Contact by website http://www.anywire.jp

Printed in Japan 2011,2016,2017,2018,2024 UMA-08326AF-EN